

# Installation Guide

GigaBIX Multi IDC System

**GigaBIX19" Rack Mount Patch Panel**  
48-ports in 3U AX101985

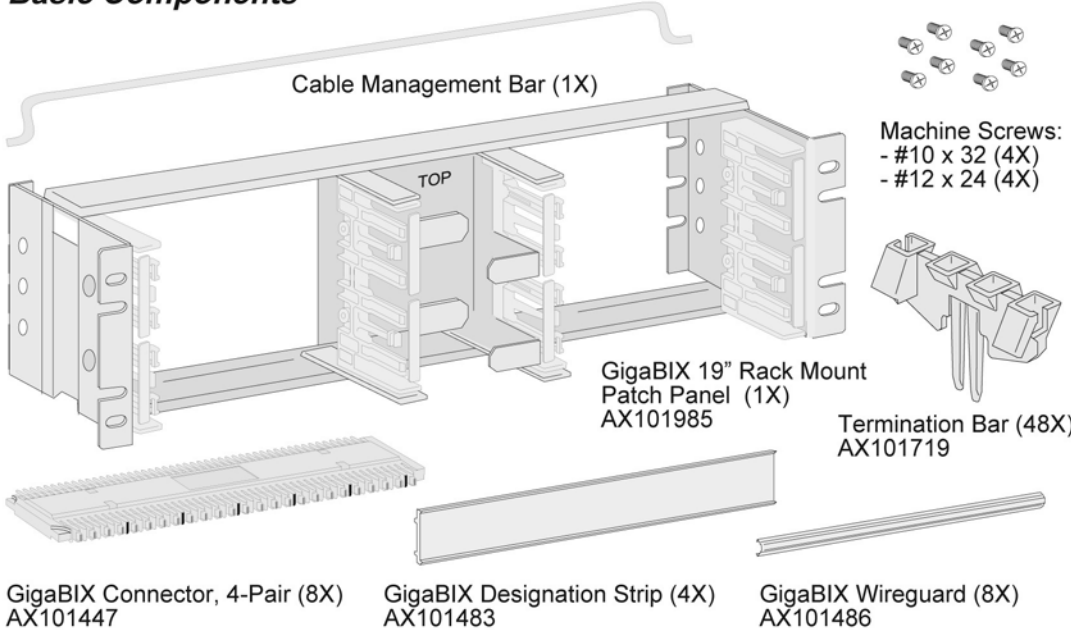
*GigaBIX*

**BELDEN**

Version 04.00 2007 PX103366

1 of 4 pages

## Basic Components



## Tools and Materials

Belden BIX Tool:  
A0270165

### Standard Tools

- Phillips screwdriver
- Cable stripper
- Wire stripper

### Accessories

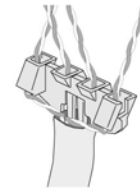
Velcro Strip (2X)  
18" AX101519

### LabelFlex labels (not included)

- AX101532 - Gray
- AX101533 - White
- AX101534 - Orange
- AX101535 - Red
- AX101536 - Yellow
- AX101537 - Green
- AX101538 - Blue
- AX101539 - Purple
- AX101540 - Brown
- AX101541 - Silver

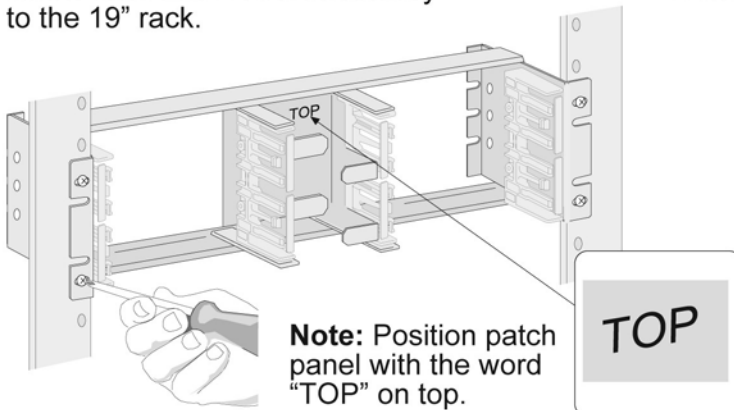
### \* Important Installation Note!

This document includes the use of the GigaBIX Termination Bar AX101719. **This new and important component is installed at Step # 3H of this document.** For detailed installation instructions refer to the related document PX103843 that is included in the Termination Bar package!



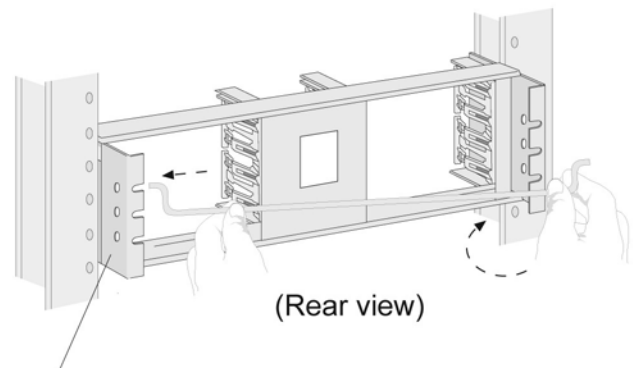
## 1. Attaching The Panel

**1A.** Using the appropriate screws, attach the Patch Panel Assembly to the 19" rack.



(#10 X 32 screws and #12 X 24 screws supplied)

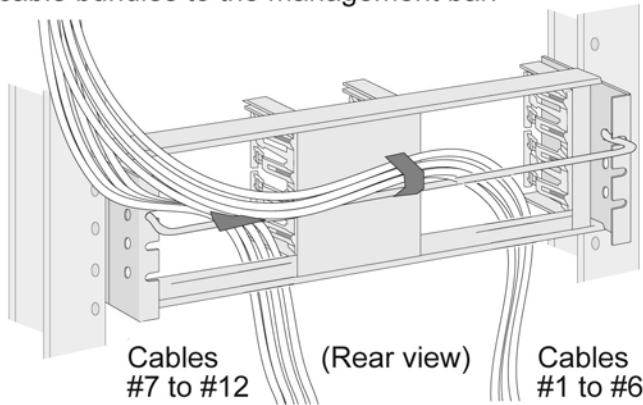
**1B.** Install the cable management bar in the **upper slot** in the rear of the panel.



3 optimum positions for installing the management bar.

## 2. Routing 4-pair Cables

**2A.** Route cables through the rear openings of the panel and with the Velcro strips, attach the cable bundles to the management bar.

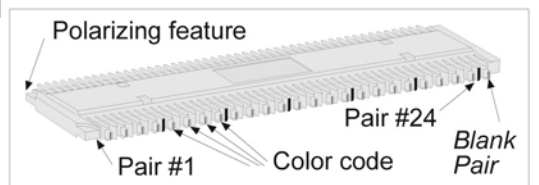
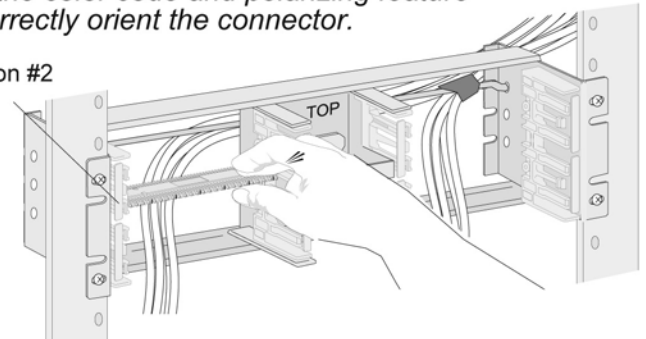


**Note.** Dressing the cables onto the management bar will produce the correct length of slack to allow for a potential retro-connection.

## 3. Terminating Connectors

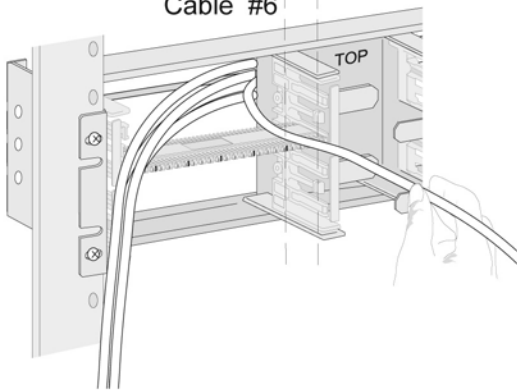
**3A.** Snap a GigaBIX Connector into the **second** position from the top in the upper mount. Use the color code and polarizing feature to correctly orient the connector.

Position #2



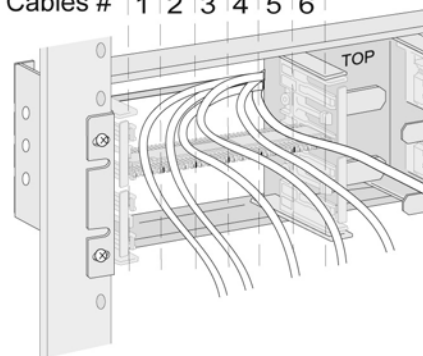
**3B.** Select the appropriate cable and position over its pair segment on the connector.

Cable #6



**3C.** Before stripping jackets, fan out each cable to its position on the connector. **Do not cross over cables! Fan directly to their positions!**

Cables # 1 2 3 4 5 6

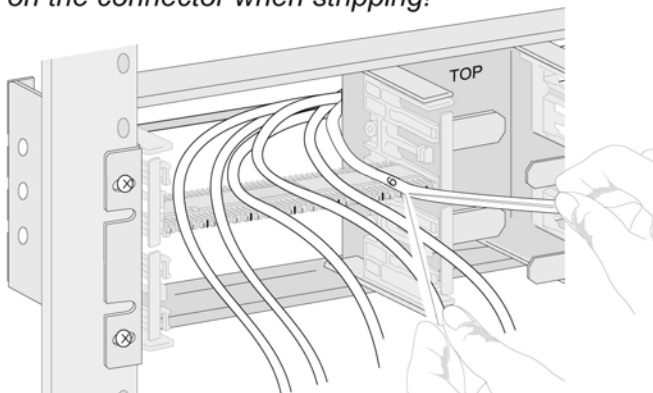


**3D.** Remove a small portion of the jacket to expose rip cord.

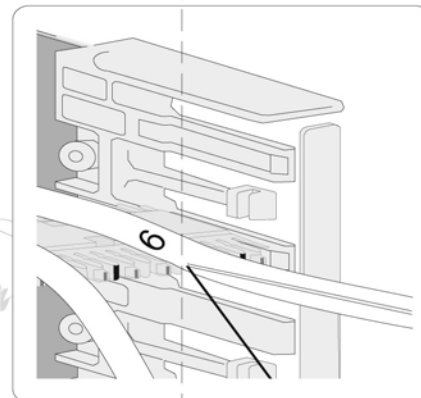


**3E.** Slit jacket to the edge of the connector.

**Note:** Hold each cable taut to its position on the connector when stripping!



**Always** strip jacket to the **exact edge** of the connector! **Always** strip at the cable's **exact position**!

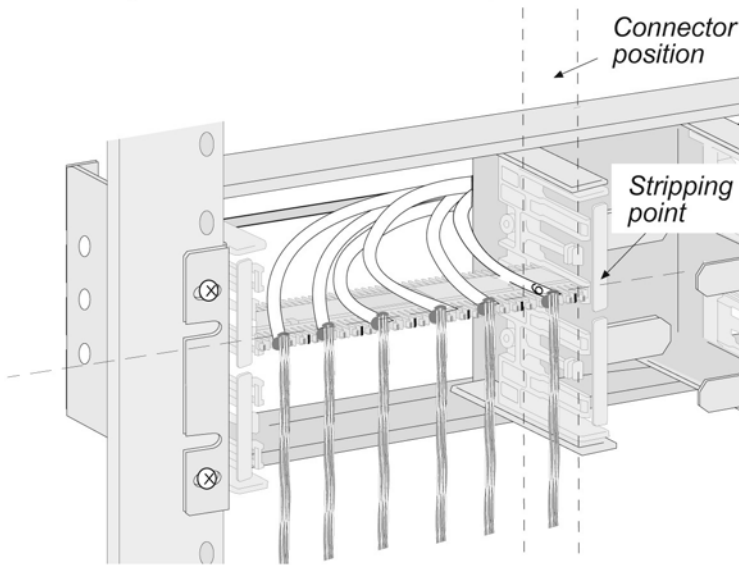


**3F.** Cut off excess jacket, crossweb and cord **at the strip point!**



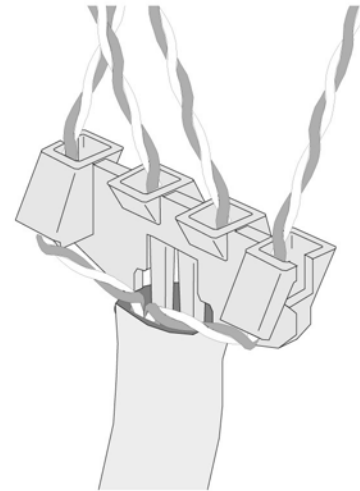
**Installer's Tip.** Write cable I.D. number on the jacket just after the connector edge, **before stripping.**

**3G.** Prepare all six cables to the edge of the connector.



**Note:** The stripping point, and the connector position, **ensures the optimum amount of cable slack!** To avoid a buildup or cable slack that could create congestion, **always prepare cables accurately to these points!**

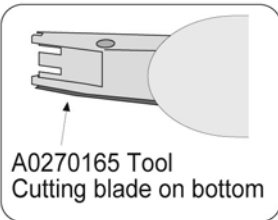
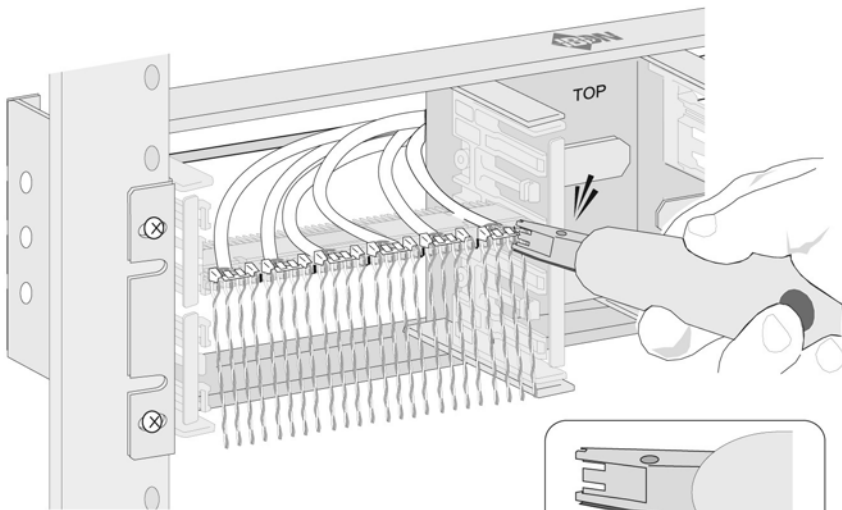
**3H.** Install the GigaBIX Termination Bars



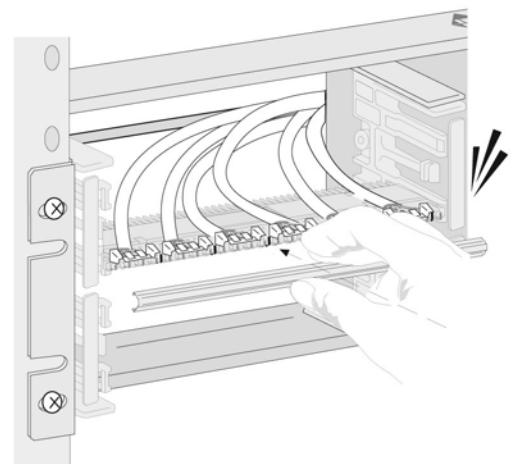
**\* Important Installation Note!**

The GigaBIX Termination Bar AX101719 is installed at this step! For detailed installation instructions, refer to the related document PX103843.

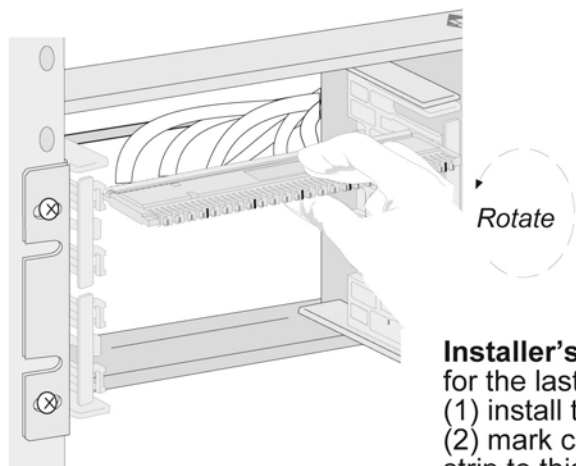
**3I.** Using the **Belden BIX Connecting Tool**, terminate the row.



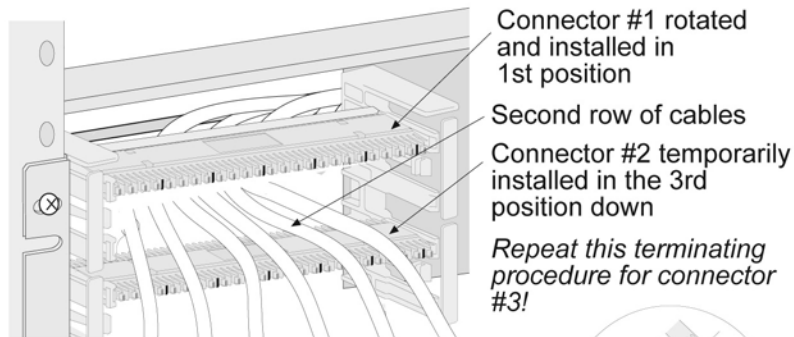
**3J.** Snap on a GigaBIX Wire Retainer over the terminated connector.



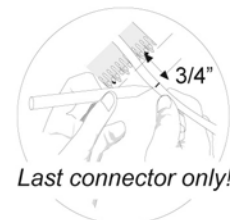
**3K.** Remove and rotate the connector and reposition in the top slot in the mount.



**3L.** Position the next six cables for terminating on connector #2. Terminate as previously shown.

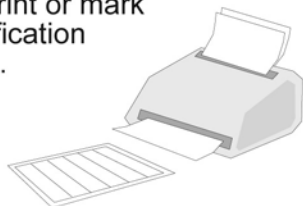


**Installer's Tip:** To create the optimum cable slack for the last connector in the rack;  
 (1) install the connector in the bottom position,  
 (2) mark cables, 3/4" beyond connector edge and strip to this point.

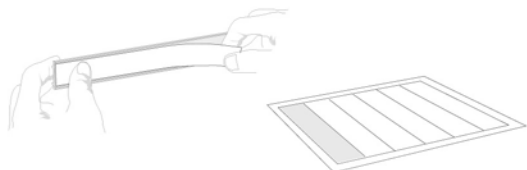


**4. Cable Identification**

**4A.** Print or mark identification labels.

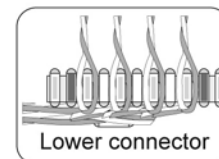
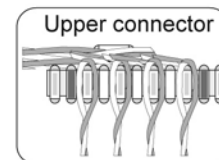
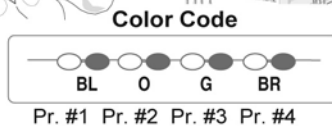
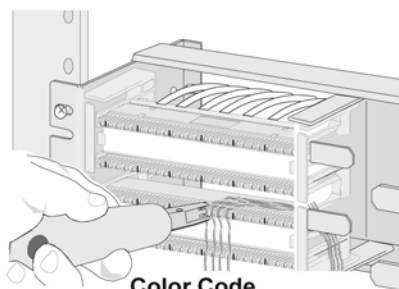


**4B.** Apply to the slot in the strip.



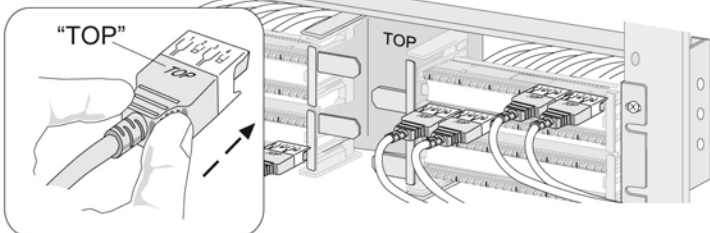
**5. Cross-Connect Wire Installation**

Connect and route jumper wires through center channel to the other field.



**6. Patch Cord Installation**

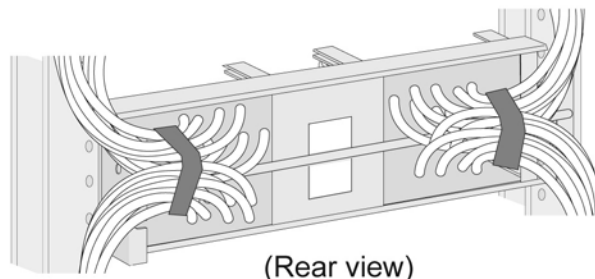
**6A.** Use the word "TOP" to orient the patch cord, and insert the patch cord head firmly into the pair group on the GigaBIX Connector. Dress patch cord cables to the nearest vertical without support channel, or use other type accessories if there is no vertical channel installed.



**6B.** Connect the other end to the appropriate field.

**7. Dressing The Cable Bundles**

Secure the cable bundles to the bar with Velcro.



**Note.** Cable bundles can be routed from top and bottom positions, and left and right sides.



For additional technical information on GigaBIX or our other connectivity products, call 1-800-858-7954