

Installation Guide

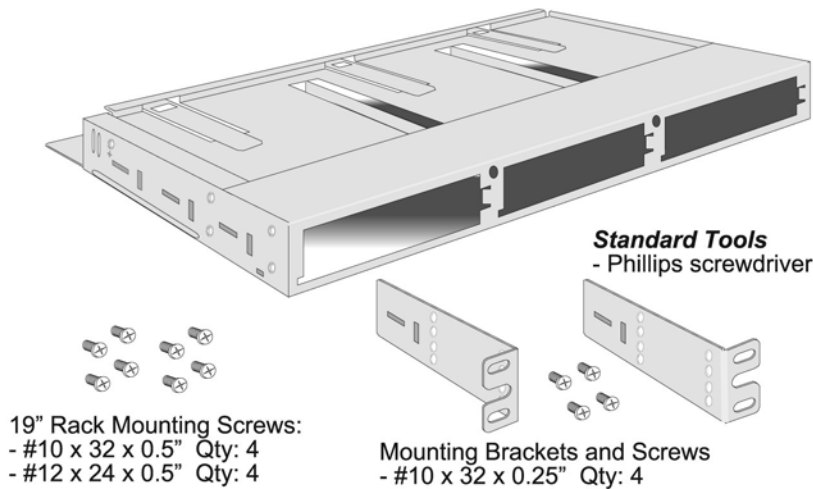
Version 03.00 2007 PX103293

BELDEN

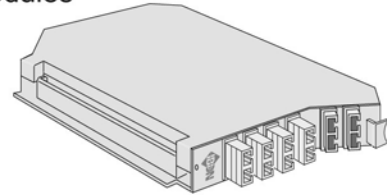
FiberExpress Manager 1U Rack Mount Patch Panel, 19"

1 of 2 pages

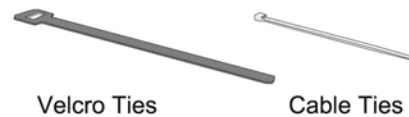
Basic Components



The panel accommodates up to three FiberExpress Manager Connector Modules

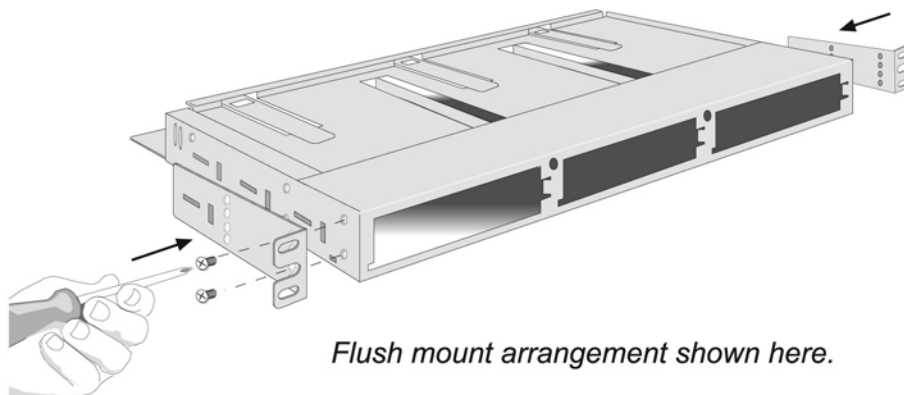


(A SC Duplex to MPO module shown above for reference only)

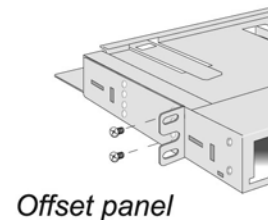
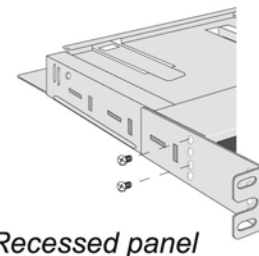


1. Attaching the mounting brackets

Using the bracket screws, attach the two mounting brackets to the Patch Panel Assembly.



Alternate mounting positions

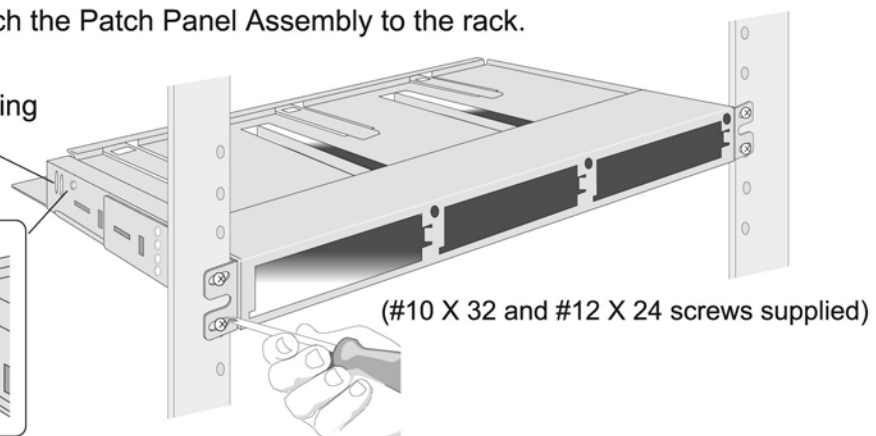
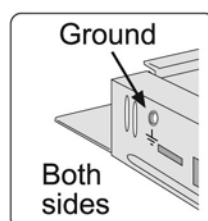


2. Attaching the panel to the rack

Using the appropriate screws, attach the Patch Panel Assembly to the rack.

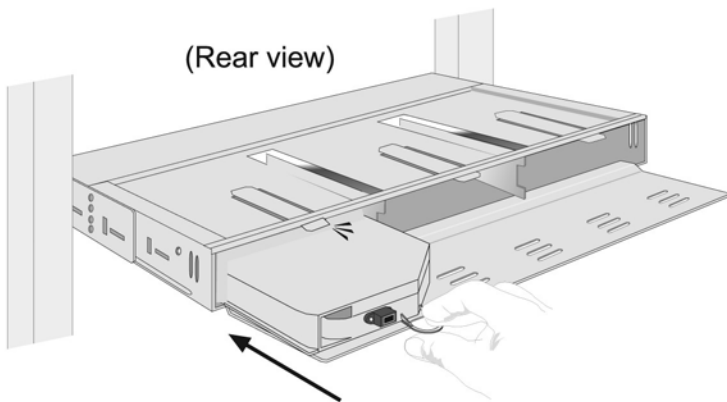
Cable-tie slots for securing fiber cables

Note: If applicable, use the grounding location to ground panels and cables. Ground units as per local standard practices.

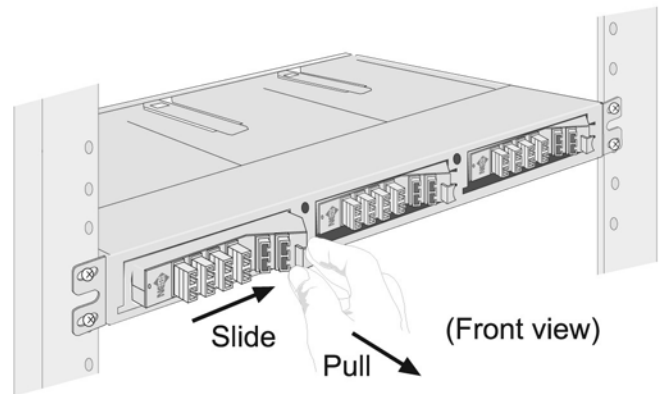


3. Installing the modules

3A. Slide a module into the rear of the panel until it snaps in place.

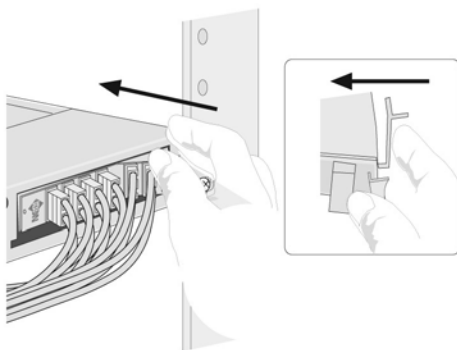


3B. To provide for easier fiber patching, slide, and pull module into its extended position.

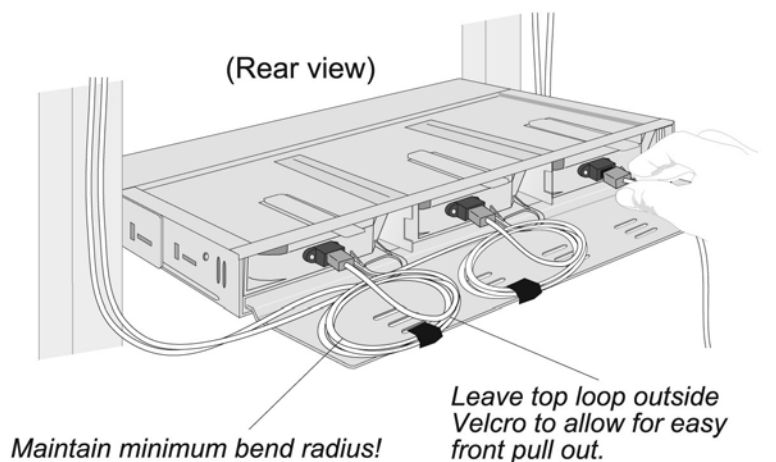


4. Installing the fiber patchcords

4A. After installing the fiber patchcords, press the side tab, and reposition the modules into the panel.



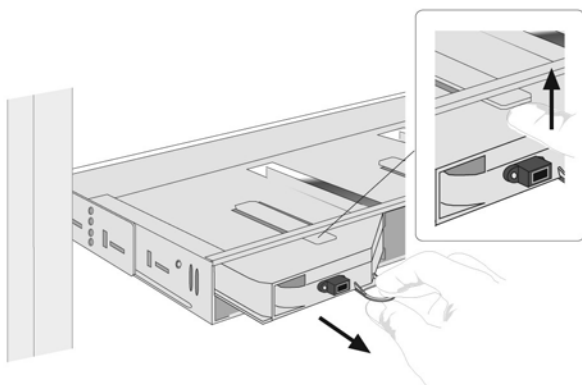
4B. Dress cables and secure with Velcro.



5. Removing a module

5A. Disconnect and remove all fibers from the front and rear of the module.

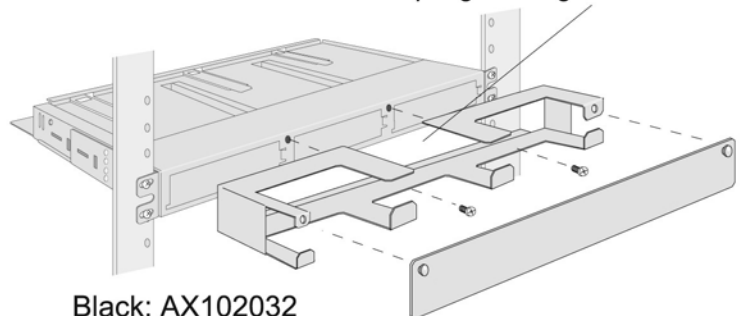
5B. Press up the tab on the panel, while pulling out the module.



6. Cable management accessories

6A. The optional cable management cover is attached to the panel with two machine screws (supplied).

Opening allows for redressing cables without disrupting existing terminations.



Black: AX102032
Grey: AX102033